

ETHALER

LOADER

Compact

and

powerfull



ETHALER

LOADER

2748/A 2748/TA



Download Videos:

<http://www.hoflader.com/index.php.Video.html>

The **ETHALER** - Loader with system.
We understand what you need.

Dealer

Thaler GmbH & Co. KG
Weidinger Straße 24
84570 Polling

Tel: +49 (0)8633 50550-0
Fax: +49 (0)8633 50550-10
info@hoflader.com
www.hoflader.com

**For multi-purpose use
Top class quality
Simply convincing**

2748/A 2748/TA

THALER

LOADER

Compact and powerfull...

With the model range 2748 the manufacturer THALER sets new standards in the category of compact wheeled loaders, we are producing established and proven equipment and offering new possibilities: standard lifting arm and telescopic lifting arm.

4-post-ROPS-FOPS-cage with roof

It is standard equipment and ensures permanently the operator's security like the comfortable, adjustable seat with security belt.

Further particularities

Steering angle: Maximum articulation angle of 55° convinces in tiny and narrow spaces.

Wear-free multi-disc brake in oil bath.

Planetary gears on the axles

Best dumping angle at maximum lifting height for easy emptying.

Controls

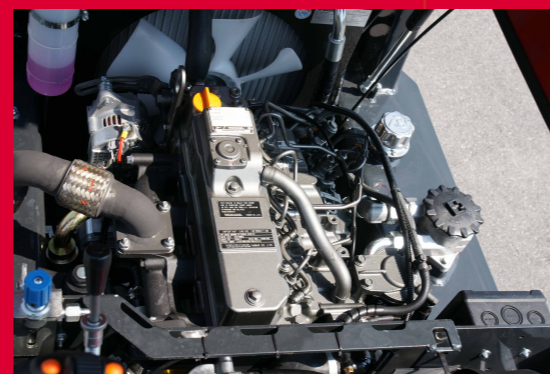
Adjustable steering column. Multifunctional joystick with rocker switch (3 positions: FW/N/BW) for precise operations, including an internal locking system. Standard equipment also - 3rd hydraulic function on the lifting arm with crank in one pressure position as well as in the neutral position.

Engineering of the centre pivoting articulation

Heavy duty engineering and design for a long life-expectation, also on rough ground. The two hydraulic rams in the centre articulation are ensuring a smooth and secure steering with a maximum articulation angle of 55°.



- **Powerful transmission with drive shaft and planetary gears in the axles**
- **Wear-free multi-disc brake in oil bath**
- **Very good cold starting of the 4 cyl. Yanmar engines**
- **Hydrostatic transmission (closed circuit) with automotive control and multifunctional joystick**
- **Combined cooling system (hydr. oil + water)**
- **Foot space: large and plane surface**
- **Legroom: very wide and spacious**
- **All made for easy access and exit and for quick cleaning**
- **Dieseltank 36 ltr in the front wagon**



Smooth running Yanmar engines, accessible by 3 sides thanks to the operator's platform tiltable to the rear by 90°.

The general airflow is made to avoid dust dispersion, especially by blowing-out of the air to both sides in the rear.



Hydraulically in height adjustable Rops-Fops protection roof

THALER
LOADER



Hydraulically in height adjustable 4-post-Rops-Fops protection cage.

Easy lowering within maxi. 6 seconds by a 2 hand operation.



Easy lowering within maxi. 6 seconds by a 2 hand operation



Overall height- standard position: 2,20m
Overall height - low position: 1,95m

Also available as retro-fit mounting kit for existing machines

Lowering, passing through and lifting the roof, without getting off or any other effort, within only 6 seconds

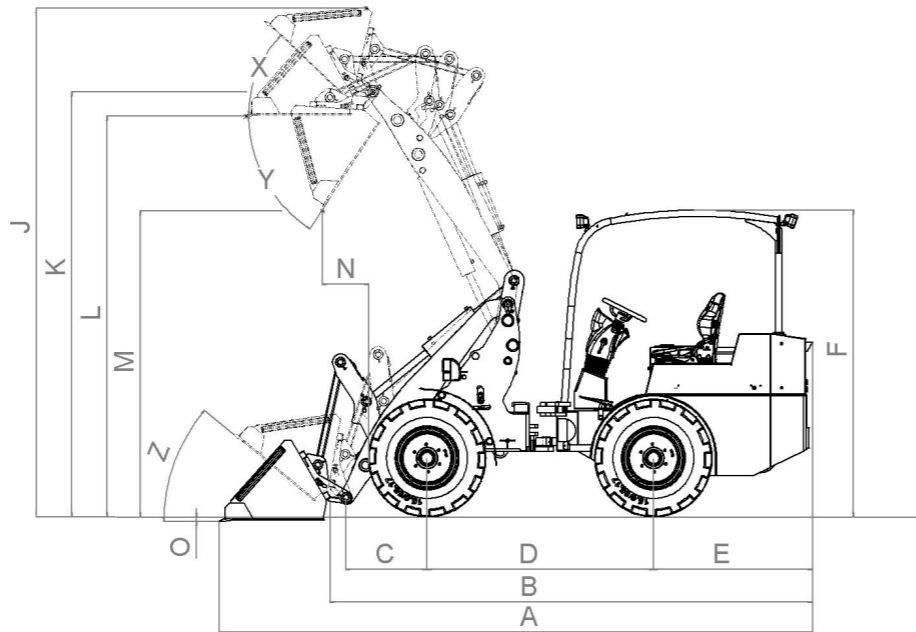
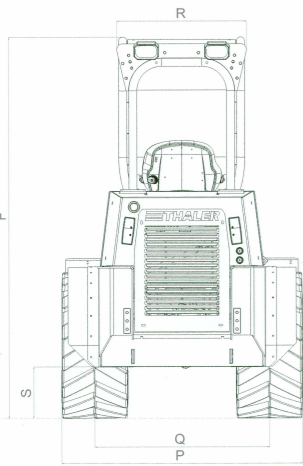
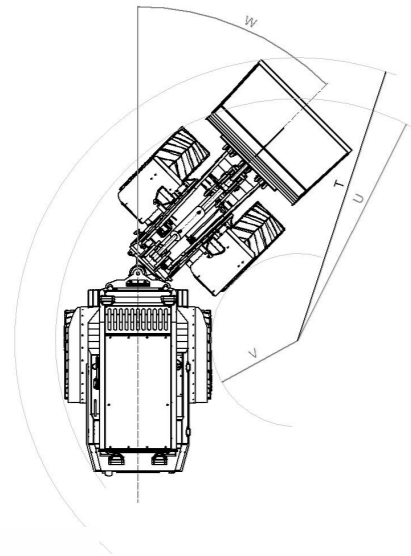
Technical data



		2748/A	2748/TA	
Lifting capacities		2000kg	2000kg	
			arm in	arm out
Tipping load – shovel	straight	1400kg	1320kg	690kg
	articulated	1100kg	900kg	390kg
Tipping load-pallet forks	straight	1100kg	1016kg	570kg
	articulated	800kg	700kg	350kg

	2748/A	2748/TA
Engine make 4 cylinder Yanmar with 3000 Revs/min	35,4 KW, 48 HP 3000 U/min	
Displacement	2190 cm ³	
Transmission	Hydrostatic	
Tires	10.0/75-15.3	400/50-15
Working brake	Wear-free multi-disc brake in oil bath	
Parking brake	Drum brake	
Working hydraulic systems	45 ltr. /min	
Steering system	Oscillating hydraulically articulated steering (with 2 hydraulic rams)	
Speed	0-20 / 2 range	
Electrical system	12 V	
Fuel tank/hydraulic oil tank	36 ltr. each	

		2748/A	2748/TA
A	Total length with shovel	4300mm	4730/5660mm
B	Total length without shovel	3480mm	3790/4860mm
C	Axle middle to shovel pivot pin	592mm	920/1980mm
D	Wheel base	1740mm	1830mm
E	Rear overhang	980mm	960mm
F	Height over Rops-Fops protection cage	2200mm	2200mm
J	Total working height	3710mm	3870/4620mm
K	Height over shovel pivot pin	3110mm	3120/3870mm
L	Load-over height	2950mm	3200/3420mm
M	Dumping height	2273mm	2480/3265mm
O	Digging depth	45mm	40mm
P	Total width – standard tires	1160mm	1380mm
Q	Track width	900mm	1010mm
R	Width over Rops-Fops-Cage	660mm	660mm
S	Ground clearance	258mm	258mm
T	Maximum radius (external)	2550mm	2550mm
U	Radius over outer edge	2190mm	2350mm
V	Inside turning radius	830mm	950mm
W	Angle of articulation	55°	55°
X	Roll back angle at maxi. lifting height	40°	130°
Y	Maximum dumping angle	56°	55°
Z	Rollback angle in ground position	45°	44°
	Weight on front axle	700kg	1140kg
	Weight on rear axle	1310kg	1320kg
	Empty weight	2110kg	2460kg
	Operating weight	2340kg	2700kg



Dimensions with standard tires mounted

Technical data – subject to change in dependence of the tools and tires mounted and R&D to take into consideration.

The measurements are approximate and not contractual like the drawings and photos. They may show also special equipment.



Made in Bavaria/Germany